

30" Blade • Oscillating Industrial Fan



- All Metal Construction.
- High Velocity, 3-Speed Control.
- Ball Bearing Motor.
- Oscillating.
- Wall mounting angle (Model WM-30).
- Extendable Pedestal for Adjustable Height up to 78 ¾.

“Air Suppliers” Industrial fans are high quality products and excellent for applications in workshops, shops, churches, gymnasiums, warehouses, auditoriums, restaurants, foundries, factories and other places where ventilation is needed.

With two ways of installation:



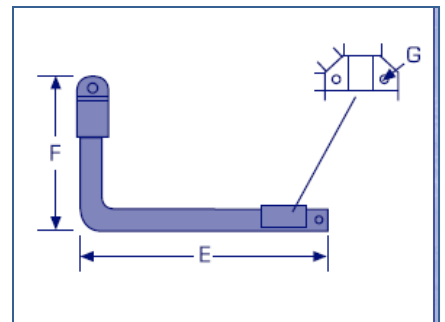
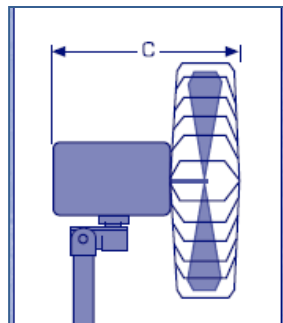
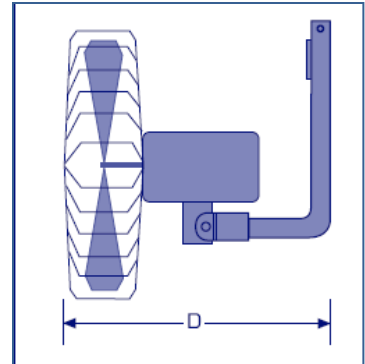
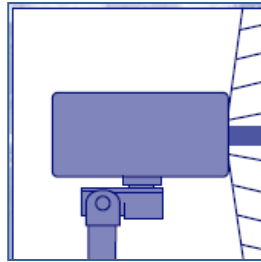
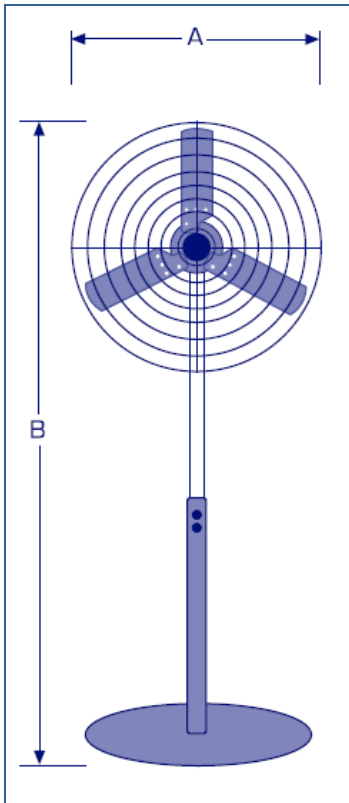
Model PF-30
Adjustable Pedestal



Model WM-30
Wall Fan



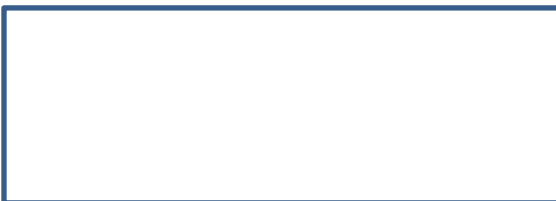
Model	Blade diameter	Volts	Rating Data	Air delivery	Speed	Noise	Certificate
PF-30/ WM-30	30"	120V~ 60Hz	220W	8750CFM	1100 RPM	68dB(A)	UL / C-UL



Model	A (in)	B (in)	C (in)	D (in)	E (in)	F (in)	G (in)	WEIGHT (pounds)
PF-30	32"	78.75"	13.75"	--	--	--	--	68.5
WM-30	32"	--	13.75"	18.75"	21"	10.5"	0.5"	42.15

A product:

Distributed by:



SALHER INDUSTRIAL SUPPLIES, CORPORATION.

8415 El Gato Rd.

El Portal Industrial Park, Laredo, TX 78045

Tels/Fax.

www.airsuppliers.com E-mail: